

L7 flex

80-160 HP Ø max. 7 cm [2.8 inch]

Convenient mulcher for the clearing of vegetation along waterways and roadsides

The **L7 flex** side mulcher is designed for offsetting operations and mulches grass and brush up to 7cm in diameter. In case of high vegetation it shows excellent mulching results.

Thanks to the SPACE LINK, the machine moves very dynamically. The hydraulics and the double joint keep the machine in a vertical position during transport, and in the operating phase, the mulcher reliably tilts down and up.

The machine meets a wide range of requirements. Due to its maneuverability, it is capable of working in confined spaces and in less deep trenches.

Particularly noteworthy are the results on steep slopes, mulching operations on slopes with 65° inclination is done with ease by **L7 flex**.

Standard version and characteristics

- > Mulches grass and brush up to 7 cm [2.8"] Ø
- > Working speed 3-10 km/h
- > 3 point linkage cat. 2
- > FLEX-SAFE anti-collision system
- > 540 rpm gearbox
- > Belt transmission
- > Hydraulic side shift 99 cm [39"] to the right
- > Hydraulic inclination from +90° to -65°
- > Support roller under the base unit, adjustable roller under the mulcher
- > Front protection with chains
- > Rear protection with rubber
- > Triple helical rotor with flails
- > 2 rows of tempered counter cutters
- > Chevrons

Optional configuration and accessories

- > PTO drive shaft with double wide angle
- > 750 or 1000 rpm gearbox
- > Roller scraper
- > Additional front rubber flap
- > Rear lamp kit

Required hydraulic fittings

3 double acting



[YouTube www.youtube.com/seppimulcher](https://www.youtube.com/seppimulcher)

Specifications · L7 flex					
Working width	cm[inch]	150 [59]	175 [69]	200 [79]	225 [89]
Overall width	cm[inch]	170-395[67-156]	170-420[67-165]	170-445[67-175]	170-470[67-185]
Depth · transport	cm[inch]	145 [57]	145 [57]	145 [57]	145 [57]
Height	cm[inch]	125-240 [49-95]	125-250 [49-99]	125-275 [49-108]	125-300 [49-118]
Weight · base value	kg [lbs]	1.050 [2,320]	1.110 [2,450]	1.150 [2,540]	1.245 [2,750]
Belts	qty	5	5	5	5
Flails	qty	15 SMO	18 SMO	21 SMO	24 SMW
Tractor weight	kg	4.000 [8,800]	4.000 [8,800]	4.000 [8,800]	4.500 [9,900]
Nominal Power	HP	80-160	80-160	80-160	80-160

Tools Flails



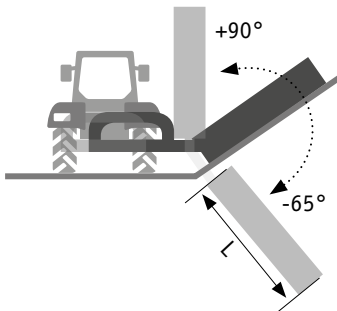
SMO



SMW

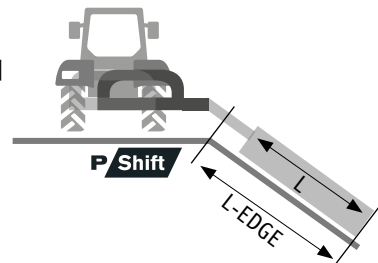
L7 flex · features

Strong and robust casing made of high-tensile steel, with replaceable wear plates.



The boom can be angled 90° upwards and tilted 65° downwards

Working depth from the edge
 L-EDGE = working width L plus up to 35 cm [14 inch]
 Maximum reach with innovative parallelogram side shift 83-179 cm [33-70 inch]



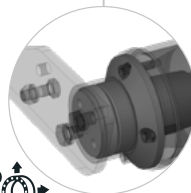
Efficient contour adaption with SPACE LINK suspension



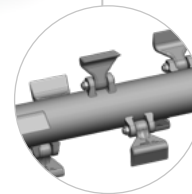
FLEX-SAFE



Safety and prevention thanks to FLEX-SAFE anti-collision system

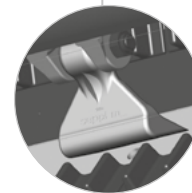


Adjustable support roller, Reinforced bearing and roller



HELIX ROTOR

Rotor with flails
 Low power consumption at maximum throughput with HELIX ROTOR technology



2 COUNTER CUTTERS

Tempered counter cutters for a perfect mulching result